

Quadband SMD Antenna

Part No. GA249040QP01



Product Specification



Dimension: 24mmx8mmx4mm

➤ Applications

- Smart phone
- Tablets
- Laptops
- Wireless modules
- Tracking devices
- Remote monitoring

➤ Features

- Designed for GSM + UMTS/WCDMA(900/1800/1900/2100)
- High efficiency
- Linear Polarization
- Omni- Directional (*PCB dimension dependent*)
- Minimum PCB clearance
- SMD mounting
- Low Profile, miniature and light weight
- Tape and reel packaging
- RoHS Compliance

➤ Customer Services (Optional)

- EM Antenna Simulation for optimum placement of antenna on PCB.
- Lump Elements Matching for optimum antenna performance.
- Anechoic Chamber Measurement for antenna performance validation.

GA STANDARD ANTENNA

Quadband SMD Antenna

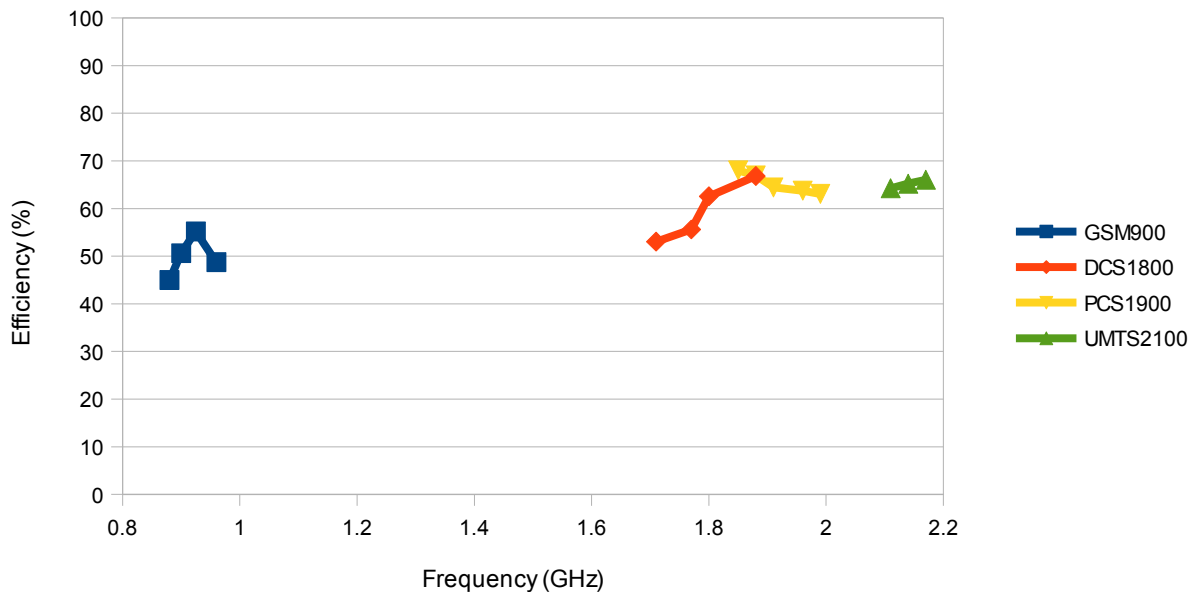
Part No. GA249040QP01



Specification

ELECTRICAL				
Band	900	1800	1900	2100
S11	< -6dB	< -5dB	< -6dB	< -5dB
VSWR	< 3:1	< 3.5:1	< 3:1	< 3.5:1
Peak Gain (dBi)	0.97	2.27	2.01	2.27
Average Efficiency (%)	50	60	65	65
Impedance (Ohms)	50			
Polarization	Linear			
Radiation Pattern	Omni			
MECHANICAL				
Dimension	24mm x 8mm x 4 mm			
Weight	1.5 g			
ENVIROMENTAL				
Temperature Range	-25°C to +80°C			
Humidity	65°C 95% RH			

Efficiency with Reference Board



GA STANDARD ANTENNA

Quadband SMD Antenna

Part No. GA249040QP01

● Performance with reference board

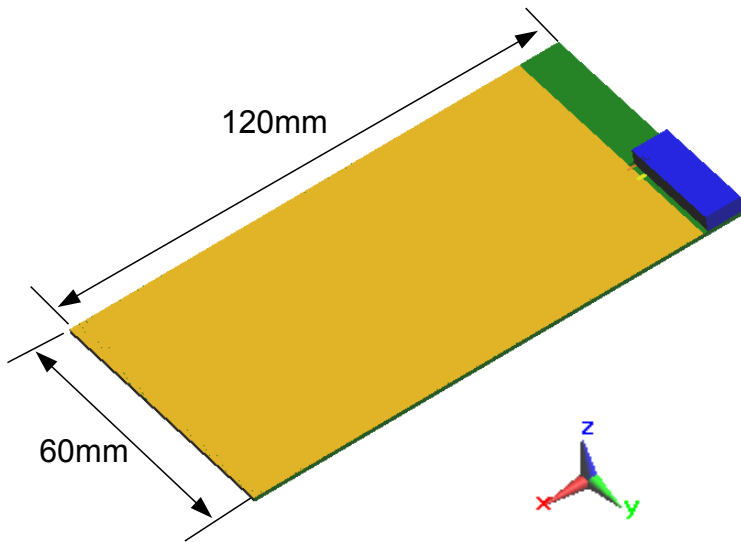
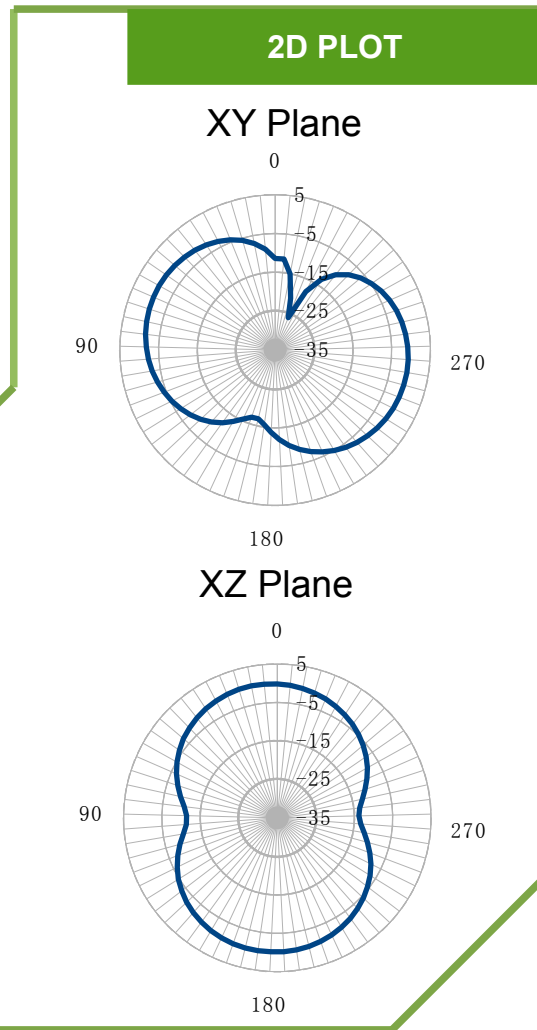
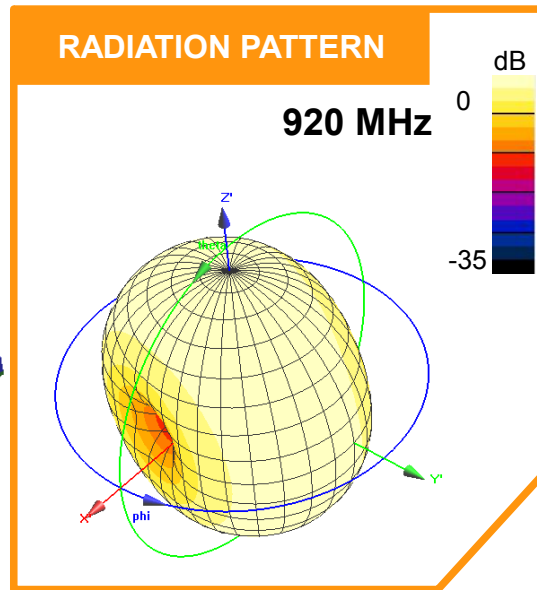


Figure 1, Antenna on reference board

Antenna Placement: Top



Quadband SMD Antenna

Part No. GA249040QP01

● Performance with reference board

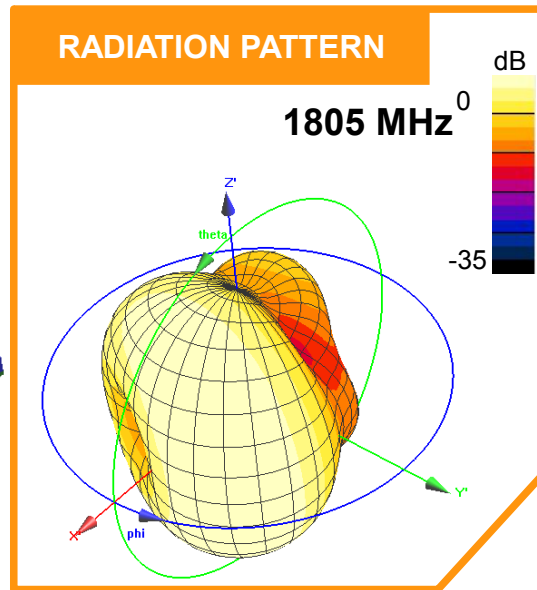
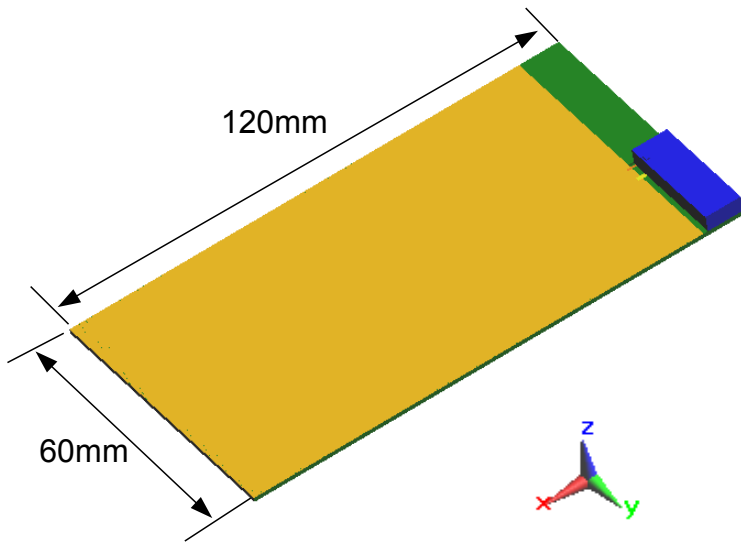
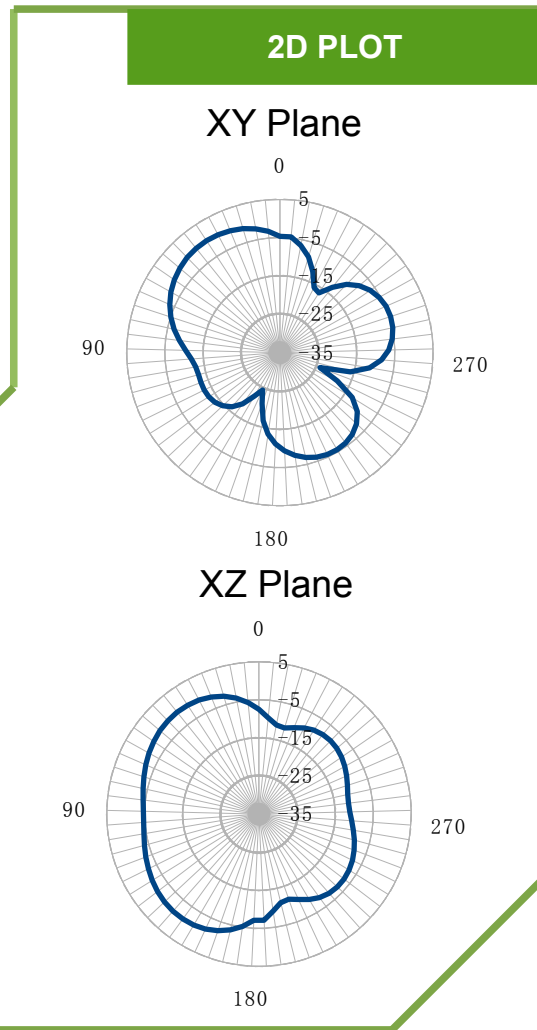


Figure 2, Antenna on reference board

Antenna Placement: Top



GA STANDARD ANTENNA

Quadband SMD Antenna

Part No. GA249040QP01

● Performance with reference board

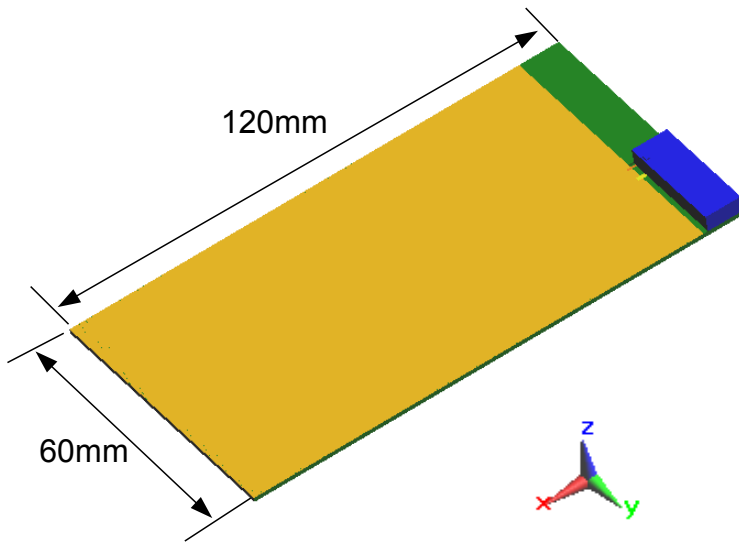
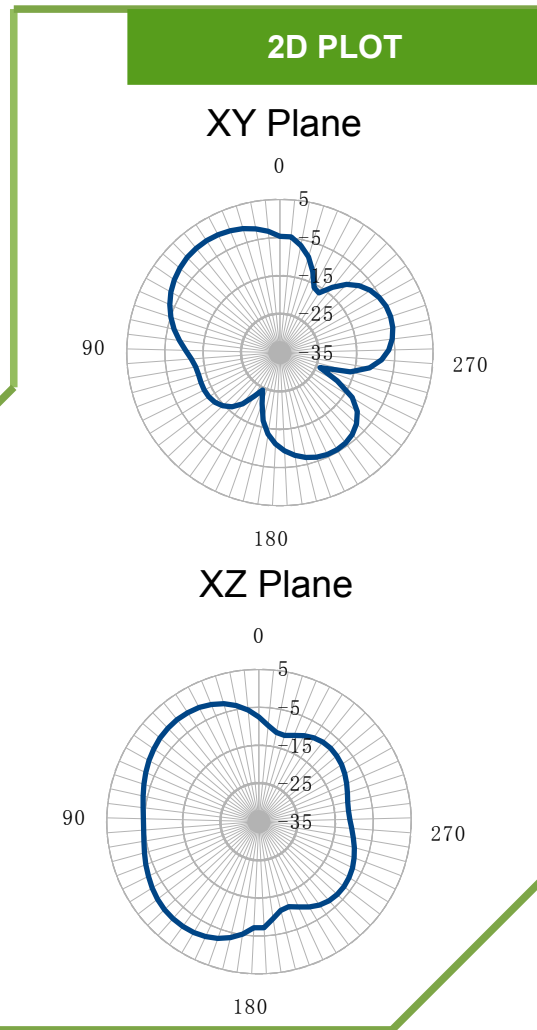
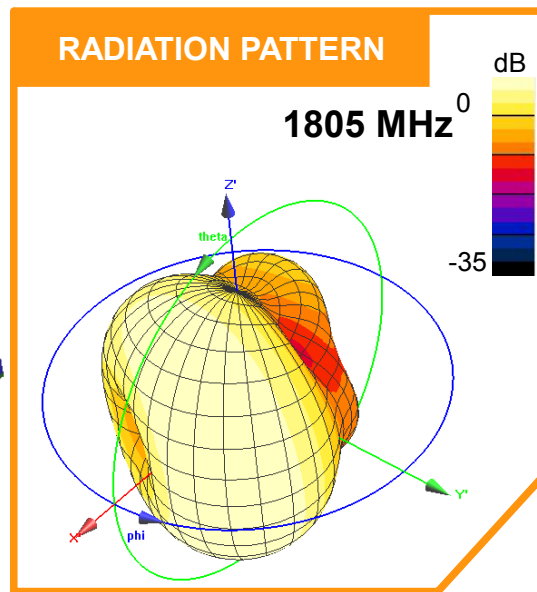


Figure 3, Antenna on reference board

Antenna Placement: Top



Quadband SMD Antenna

Part No. GA249040QP01

● Performance with reference board

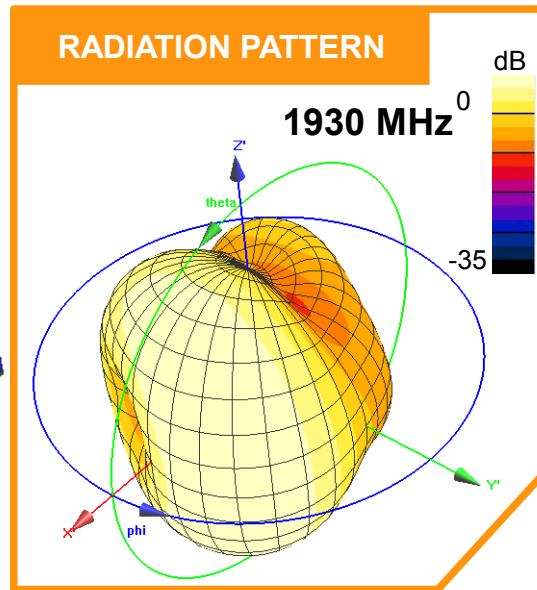
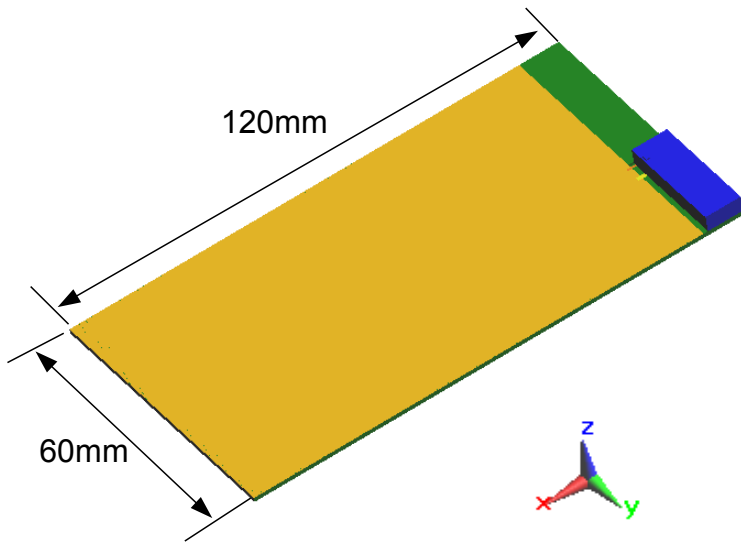
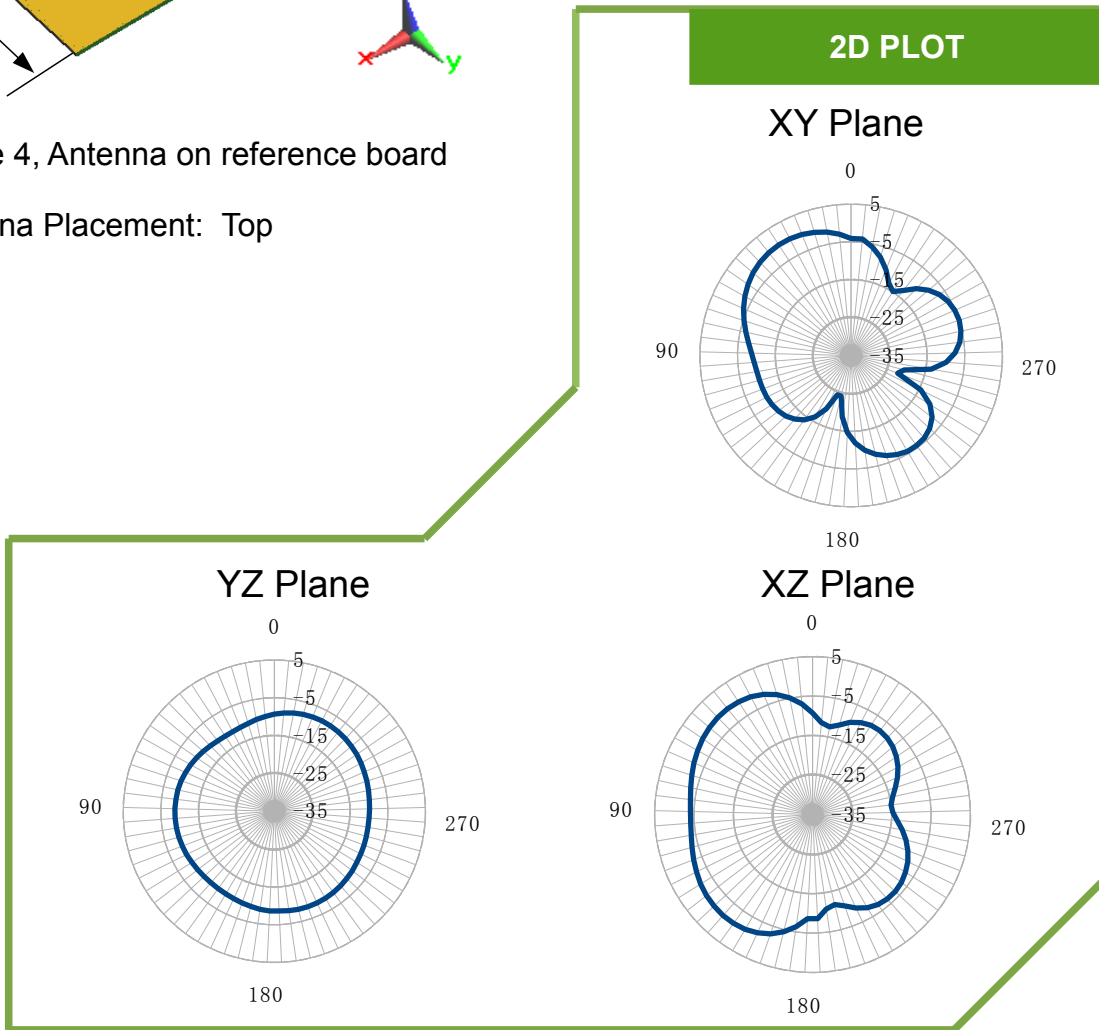


Figure 4, Antenna on reference board

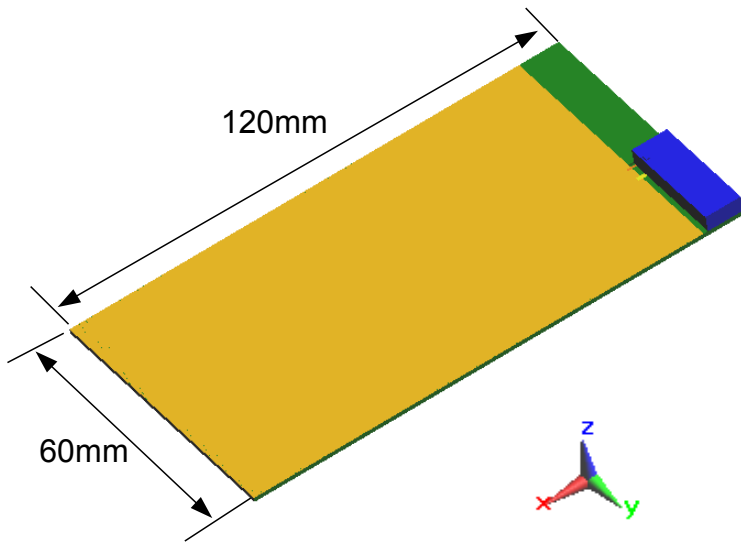
Antenna Placement: Top



Quadband SMD Antenna

Part No. GA249040QP01

● Performance with reference board



RADIATION PATTERN

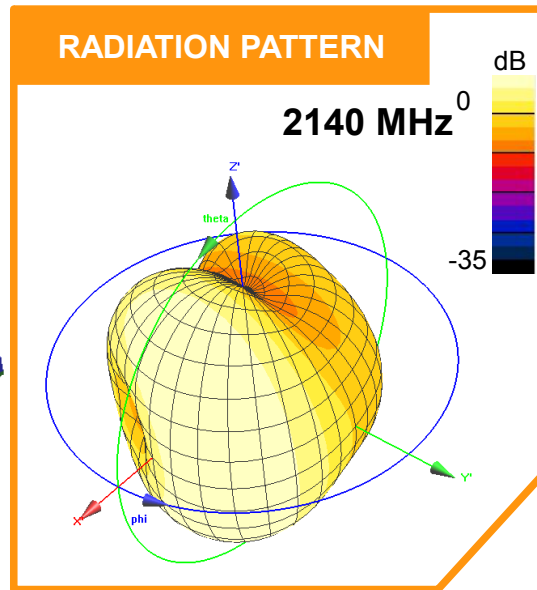
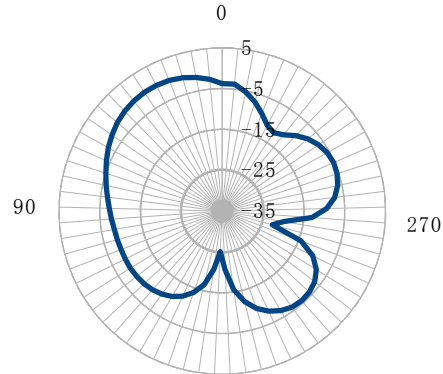


Figure 5, Antenna on reference board

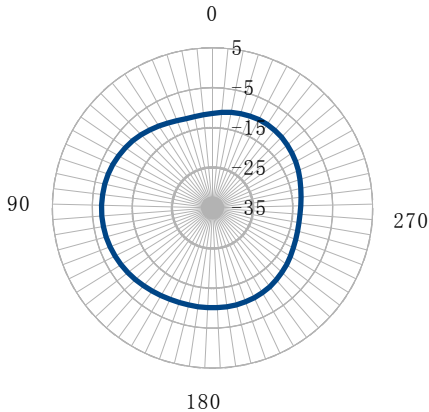
Antenna Placement: Top

2D PLOT

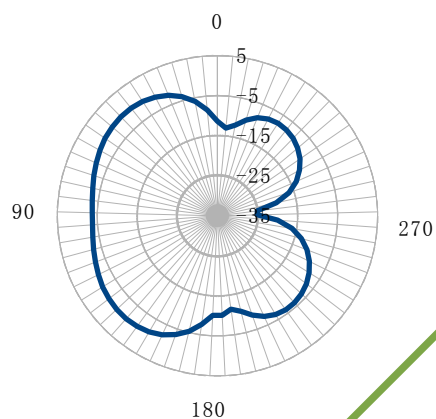
XY Plane



YZ Plane



XZ Plane

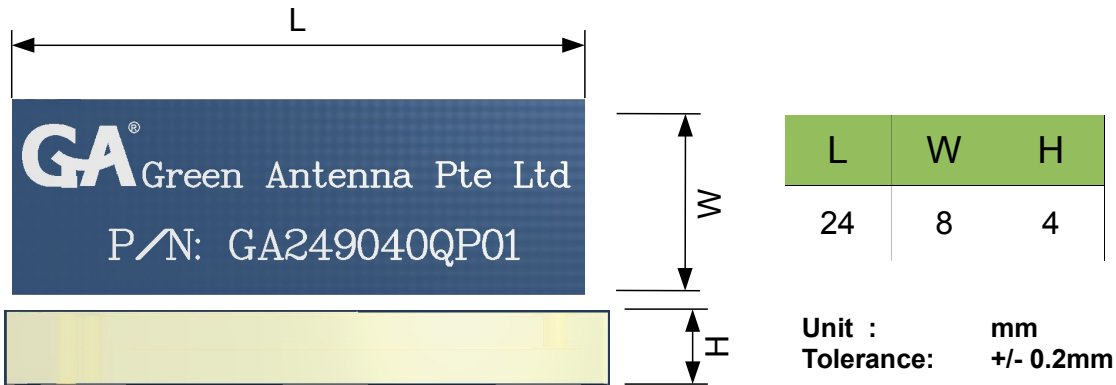


Quadband SMD Antenna

Part No. GA249040QP01

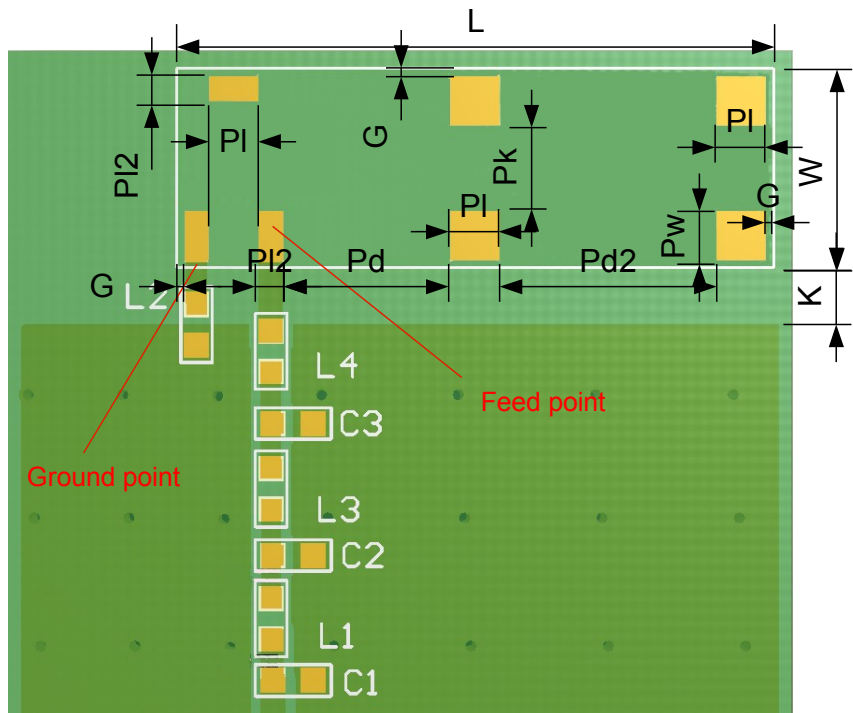
Antenna Dimension

Overview



Layout with side feeding

L	W	G	Pd
24	8	0.3	6.7
Pd2	PI	PI2	Pw
8.7	2	1	2
Pk	K		
3.4	1		



Unit : mm
Tolerance: +/- 0.1mm

■ : PCB copper
■ : PCB dielectric
■ : Pads

Quadband SMD Antenna

Part No. GA249040QP01



➤ Antenna Implementation Guidelines

● Transmission Line

- a) Design the transmission line with characteristic impedance of 50 Ohm to feed the antenna.
- b) Minimize the length of transmission line to reduce insertion loss.

● Lump Elements Matching Circuit

Placement of antenna, PCB dimension and components within the vicinity of antenna will affect the antenna performance. Therefore, at least **six** lump elements matching circuit **MUST** be reserved for antenna optimization purpose during PCB layout process.

Green Antenna provides optional matching and anechoic chamber measurement services on request. Please contact ga@green-antenna.com for further information.

● Antenna PCB Placement

To achieve optimum antenna performance, the antenna is recommended to place on the edge of PCB.

Green Antenna provides optional EM simulation service to locate the optimum placement of antenna on customer device or bare PCB board. Please contact ga@green-antenna.com for further information.