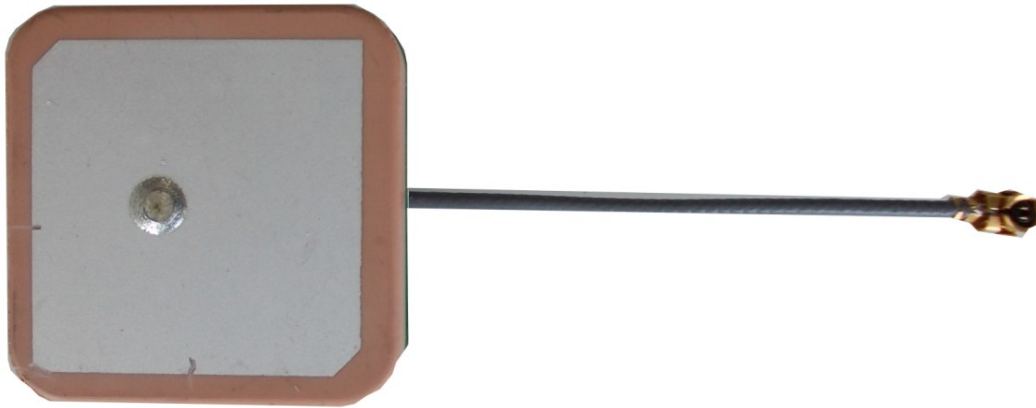


28dB GPS Active 25*25*4 Antenna

Part No. GA-28GPS25254-XXX



Antenna Specs	
Frequency	1575.42Mhz
BandWidth	10 MHz Return Loss< -10dB
VSWR	≤ 1.5 :1
Gain at Zenith	3 dBic on 70x70mm Ground
Polarization	RHCP
Impedance	50 Ohms
Axial Ratio	3dB max
LNA Specs	
Gain	28dB ± 1.5dB
Noise Figure	1.5dB typ
Output VSWR	2.0 Max
Input Voltage	3~5V DC
Current Consumption	5~15mA
Mechanical Specs	
Antenna Dimension	25x25x4 mm
Overall Dimension	25x25x6.5 mm
Connector	IPEX
Cable length	Customizable
Relative Humidity	Up to 75%
Storage Temperature	-40°C to +85°C
Operating Temperature	-40°C to +85°C

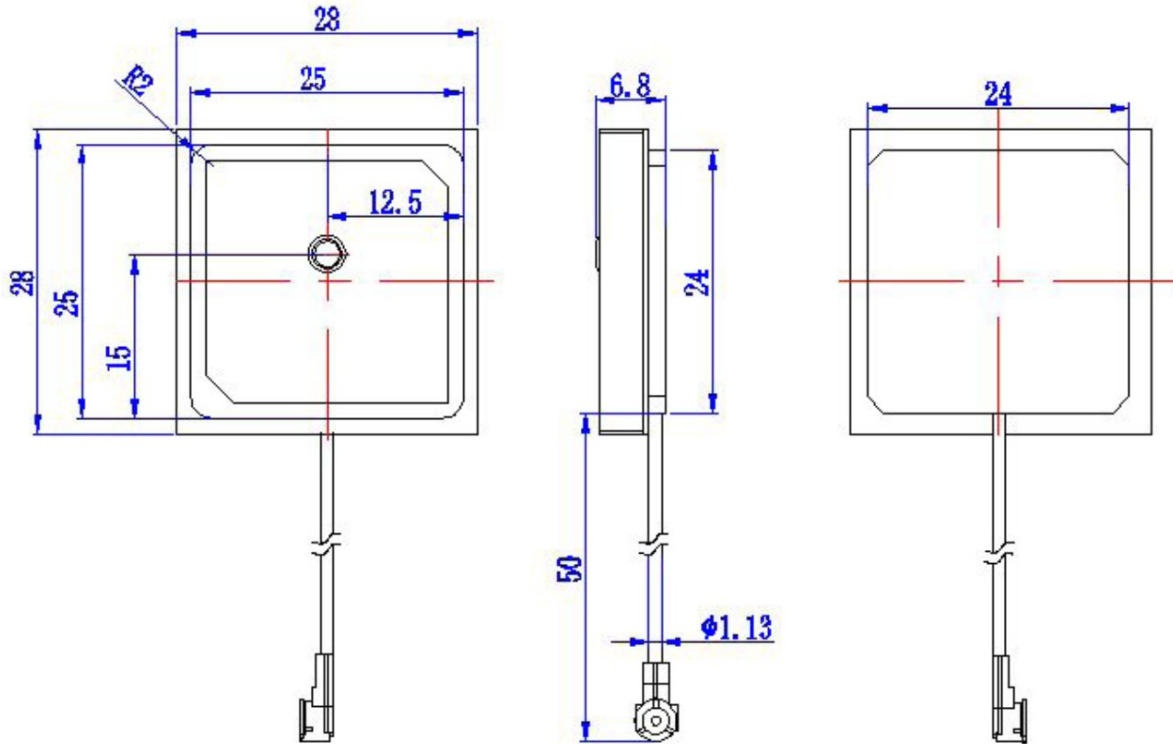
28dB GPS Active 25*25*4 Antenna

Part No. GA-28GPS25254-XXX



Design & Solution

Mechanical Drawing



Part No Explanation:

Part No. GA-28GPS25254-XXX

Gain

Size

Cable
Length